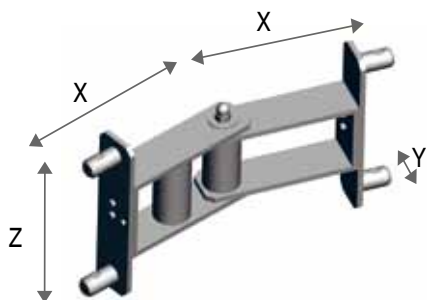


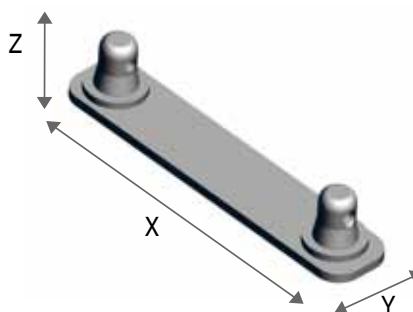
TRUSS ACCESSORIES

LADDER SWIVELING 2-WAY CORNER



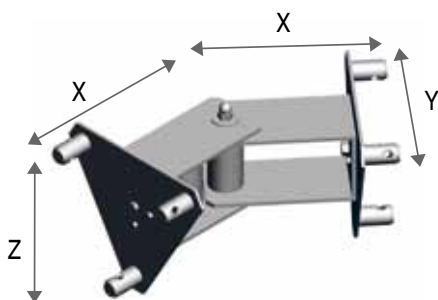
Series	Code	X	Y	Z	kg
Standard	TB 6265	270	60	270	3,26
Elite 25	TB 5265	270	60	270	3,26
Elite 30	TB 7265	330	60	335	3,76
SuperLite	TB 8265	230	60	270	3,26
Euro	TB 12265	280	60	335	4,28
Professional HD	TB 4265	280	60	335	4,28

LADDER BASE PLATE



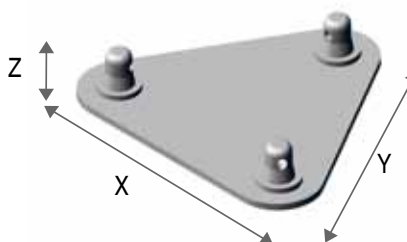
Series	Code	X	Y	Z	kg
Standard	TB 6207	270	60	95	0,38
Elite 25	-	-	-	-	-
Elite 30	-	-	-	-	-
SuperLite	TB 8207	270	60	55	0,38
Euro	TB 12207	335	60	55	0,64
Professional HD	TB 4207	335	60	55	0,64

TRIO SWIVELING 2-WAY CORNER



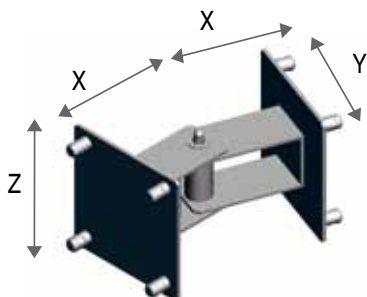
Series	Code	X	Y	Z	kg
Standard	TB 6365	270	270	235	5,55
Elite 25	TB 5365	270	270	235	5,55
Elite 30	TB 7365	350	350	300	6,55
SuperLite	TB 8365	270	270	235	5,55
Euro	TB 12365	350	350	300	8,67
Professional HD	TB 4365	350	350	300	8,67

TRIO BASE PLATE



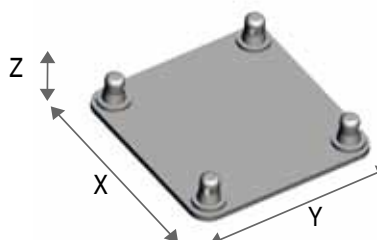
Series	Code	X	Y	Z	kg
Standard	TB 6307	255	255	95	0,77
Elite 25	-	-	-	-	-
Elite 30	-	-	-	-	-
SuperLite	TB 8307	255	255	60	0,77
Euro	TB 12307	330	330	55	1,83
Professional HD	TB 4307	330	330	55	1,83

SQUARE SWIVELING 2-WAY CORNER



Series	Code	X	Y	Z	kg
Standard	TB 6465	270	270	270	6,60
Elite 25	TB 5465	270	270	270	6,60
Elite 30	TB 7465	335	335	335	7,60
SuperLite	TB 8465	270	230	270	6,60
Euro	TB 12465	335	280	335	10,20
Professional HD	TB 4465	335	280	335	10,20

SQUARE BASE PLATE



Series	Code	X	Y	Z	kg
Standard	TB 6407	270	270	95	1,30
Elite 25	-	-	-	-	-
Elite 30	-	-	-	-	-
SuperLite	TB 8407	270	270	60	1,30
Euro	TB 12407	335	335	55	2,53
Professional HD	TB 4407	335	335	55	2,53