

SUPERPROFESSIONAL HD 52X100

GENERAL FEATURES

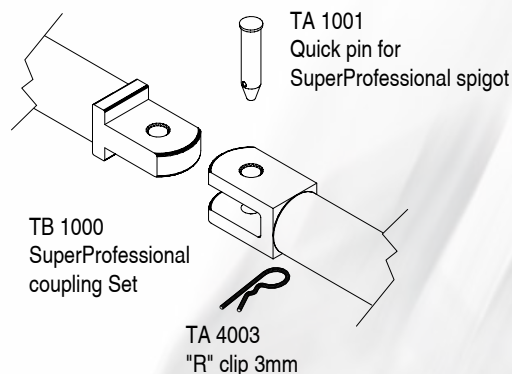
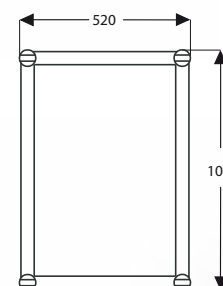
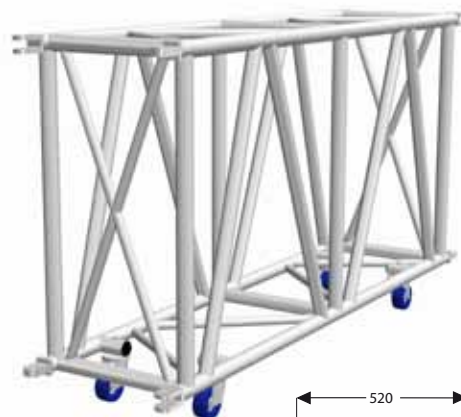
Aluminium 6082-T6 alloy Truss, main tube \varnothing 50 x 5 mm, diagonal tube \varnothing 45 x 3 mm and \varnothing 30 x 3 mm.

COUPLING SYSTEM

Coupling system, accessories and purposes are the same as SuperProfessional 52x52 and 52x76.

PURPOSES

The 52x100 section truss is the ideal solution for very high loading installations and Roof Systems over 20 m span. It guarantees an impressive loading capacity at the right cost.



TRUSS LENGTH	CODE	WEIGHT
1,0 m	TB 1810	42,00 kg
2,0 m	TB 1820	60,00 kg
3,0 m	TB 1830	80,00 kg

TRUSS LENGTH	POINT LOAD	DISTRIBUTED LOAD
	▲	▲▲▲▲▲
14 m	2763	385
16 m	2376	297
18 m	2071	230
20 m	1822	182
22 m	1614	147
24 m	1438	120
26 m	1285	99
28 m	1150	82
30 m	1031	69
32 m	924	58
34 m	827	49
36 m	738	41
38 m	657	35
40 m	581	29

LOADING FIGURES

