

SUPER PROFESSIONAL HD 52 TOWER

CODE	WEIGHT	DESCRIPTION
TB 9373	198,00 kg	Kit SuperProfessional HD Tower with: 1 TB 9311, 1 TB 9323, 1 TB 9315.
CODE	WEIGHT	KIT DESCRIPTION
TB 9315	21,00 kg	Head (4 TB 1000 included)
TB 9323	51,00 kg	Sliding Corner Block 720 x 720 x H 1100 mm
TB 9311	90,00 kg	SuperProfessional HD Base, hoist-to-tower support, 4 wheels Ø 100 mm, 4 base adjustments.

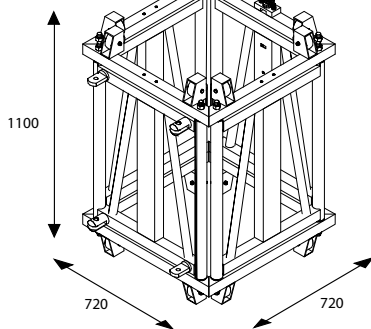
TOWER HEIGHT	LOADING CAPACITY
6 m	5500 kg
8 m	4500 kg
10 m	2900 kg
12 m	2000 kg
14 m	1270 kg

LOADING FIGURES

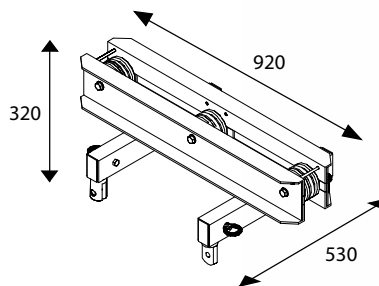
ACCESSORIES

Accessories (adjustable and side flanges) are the same as Tower SuperProfessional.

TB 9323
SuperProfessional HD 52x76 Sliding
Corner Block
Weight 70,00 kg



TB 9315
SuperProfessional HD
52x52 Tower Head
Weight 32,00 kg



TB 9311
SuperProfessional HD 52x52
Tower Base
Weight 96,00 kg

