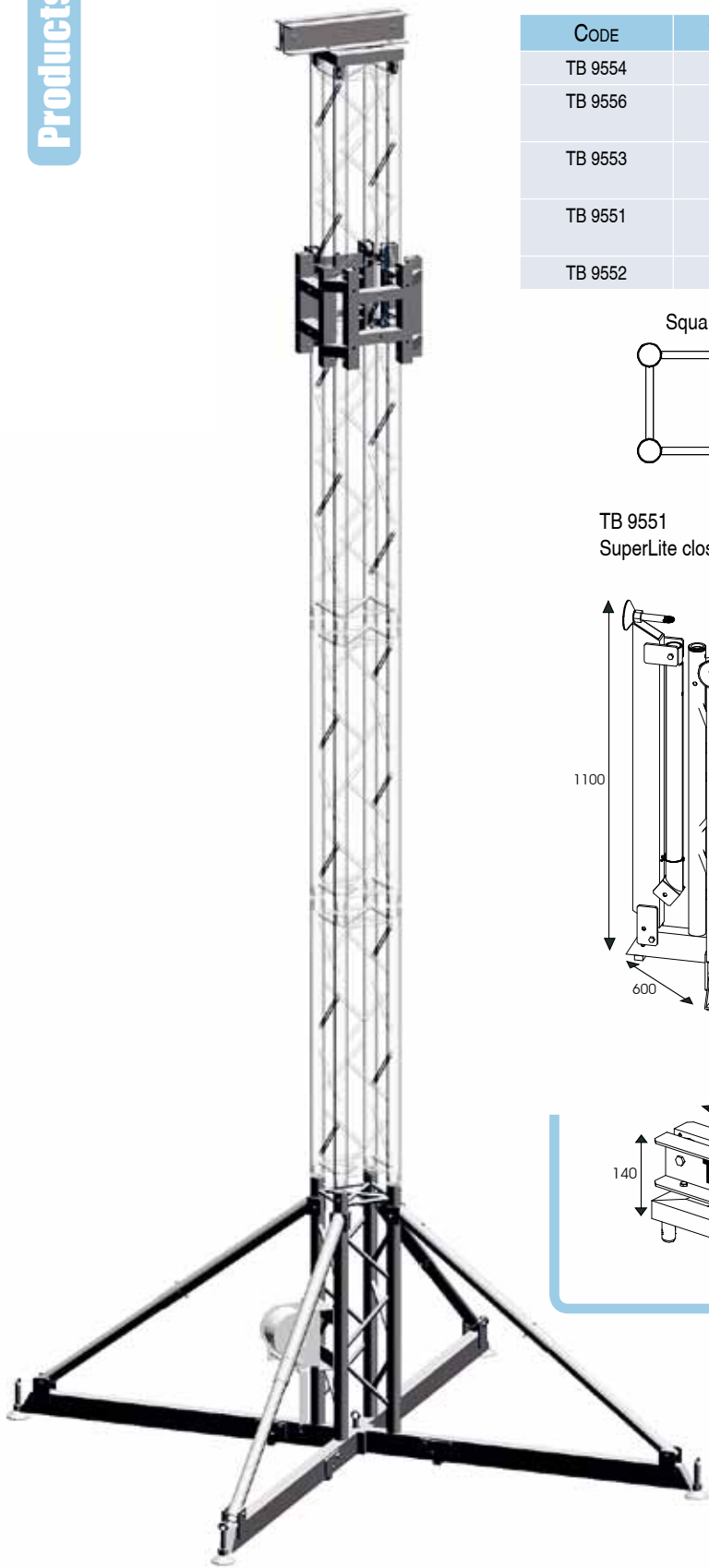
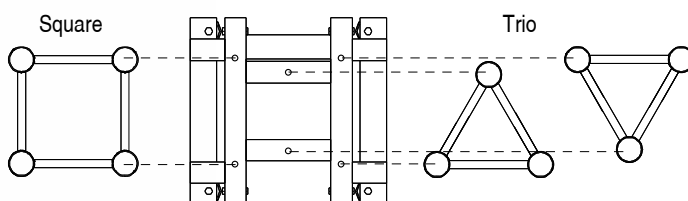


SUPERLITE 25 TOWER

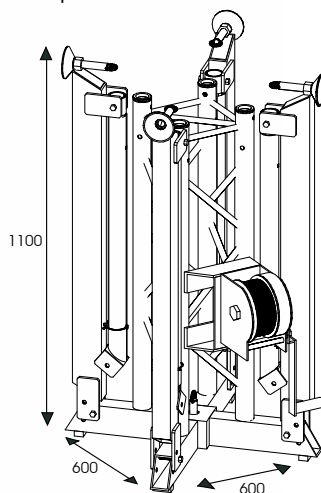


CODE	WEIGHT	DESCRIPTION
TB 9560	57,10 kg	Kit: SuperLite Tower with: 1 TB 9551, 1 TB 9552, 1 TB 9556, 1 TB 9554

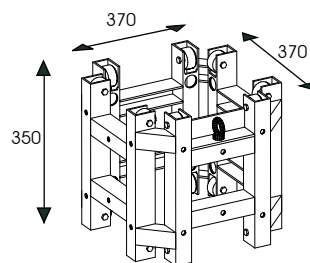
CODE	WEIGHT	DESCRIPTION
TB 9554	5,90 kg	Head (4 TB 8002 included)
TB 9556	9,00 kg	Small Sliding Corner Block 370 x 370 x H 350 (1 TB 9555 included - 4 pins with bolt)
TB 9553	16,10 kg	Large Sliding Corner Block 400 x 400 x H 560 (1 TB 9555 included - 4 pins with bolt)
TB 9551	31,00 kg	SuperLite Base H 1m with: square truss 1m, 4 upwinds, hand winch-to-tower support , spirit level.
TB 9552	11,20 kg	Hand winch 520 kg with: steel cable 15 m.



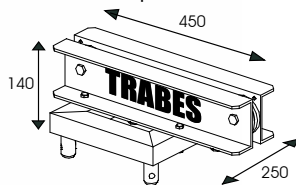
TB 9551
SuperLite closed Tower Base



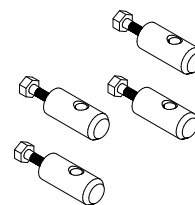
TB 9556
Small Sliding Corner Block



TB 9554
SuperLite Tower Head

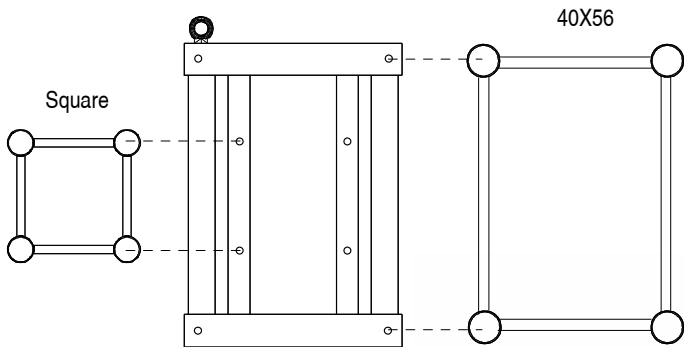


TB 9555
4 Pins for Sliding Corner Block

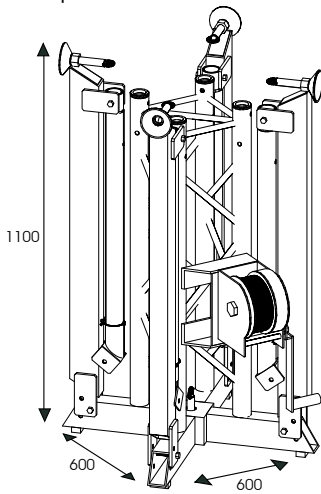


TOWER HEIGHT	LOADING CAPACITY
2 m	2800 kg
3 m	2050 kg
4 m	1512 kg
5 m	1140 kg
6 m	890 kg
7 m	715 kg

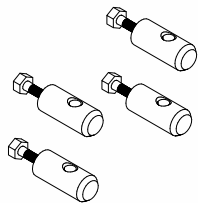
LOADING FIGURES



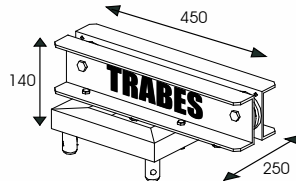
TB 9551
SuperLite closed Tower Base



TB 9555
4 Pins for Sliding Corner Block



TB 9554
SuperLite Tower Head



TB 9553
Large Sliding Corner Block

