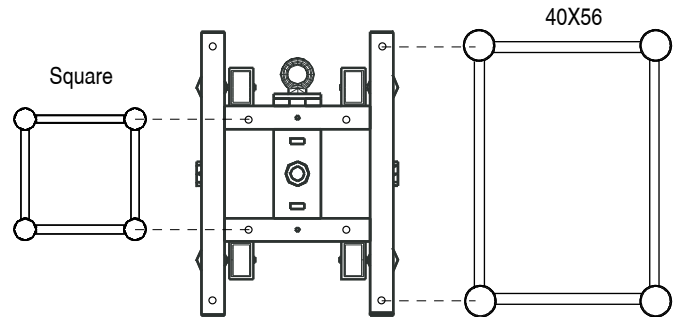
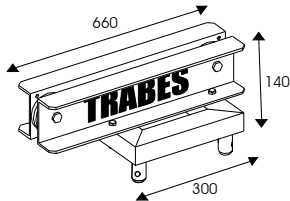


# PROFESSIONAL HD 30 TOWER

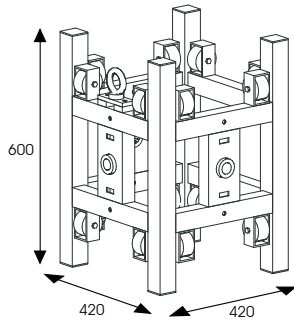
TRUSS ATTACH POINTS:



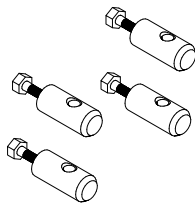
TB 9544  
Professional HD 30 Tower Head



TB 9543  
Professional HD 30 Sliding Corner Block



TB 9555  
4 Pins for Sliding Corner Block

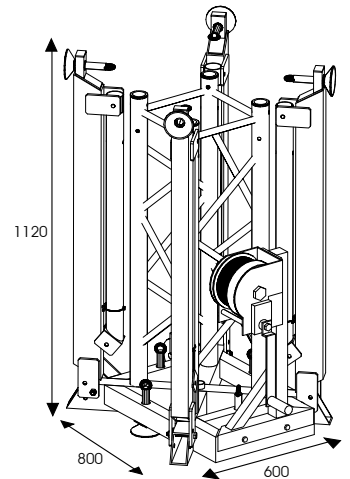


CODE	WEIGHT	DESCRIPTION
TB 9540	57,50 kg	Kit Professional HD 30 Tower with: 1 TB 9541, 1 TB 9543, 1 TB 9544
CODE	WEIGHT	KIT DESCRIPTION
TB 9544	6,30 kg	Head (4 TA 4006 and 4 TA 8009 included)
TB 9543	15,60 kg	Sliding corner block 420 x 420 x H 600 mm
TB 9541	35,60 kg	Professional HD 30 H 1 m Base square truss, 4 adjustable upwinds, handwinch-to-tower support, 2 wheels Ø 100 mm, spirit level, 4 base adjustments.

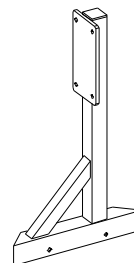
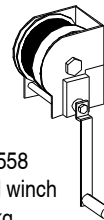
TOWER HEIGHT	LOADING CAPACITY
2 m	4500 kg
3 m	4500 kg
4 m	3750 kg
5 m	2500 kg
6 m	1800 kg
7 m	1350 kg
8 m	1030 kg

LOADING FIGURES

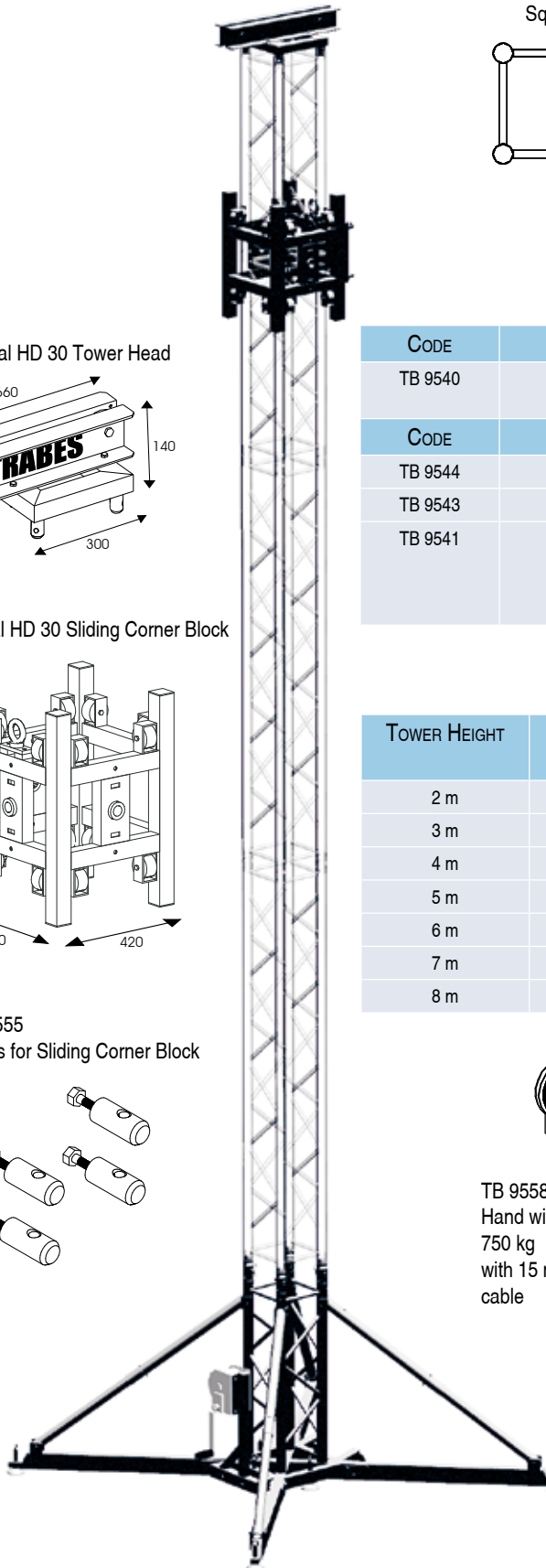
TB 9541  
Professional HD 30 closed Tower Base

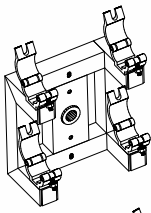


TB 9558  
Hand winch  
750 kg  
with 15 m steel  
cable

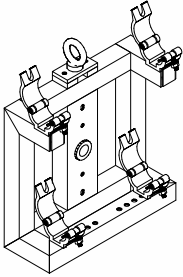


TB 9546  
Tower-to-winch  
support

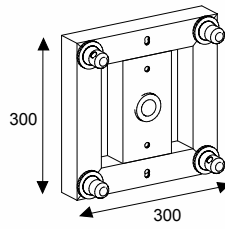




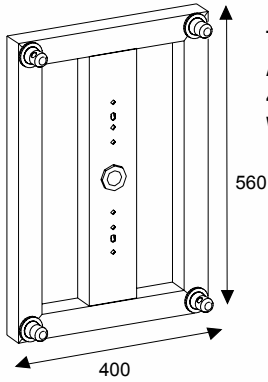
**TB 9830**  
Side flange  
for Roof Systems  
with:  
30x30 section Truss  
Weight 7 kg



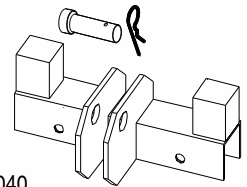
**TB 9840**  
Side Flange for Roof  
Systems with 40x40  
section Truss  
Weight kg 8,5



**TB 9641**  
Professional 30 Square  
Adjustable Flange  
Weight 6,1 kg



**TB 9642**  
Adjustable Flange  
400 x 560 mm  
Weight 11 kg

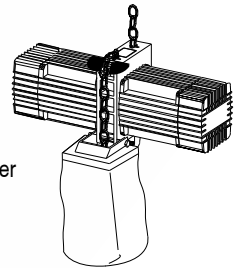


**TA 4040**  
Tower-to-hoist case support  
Weight 2 kg

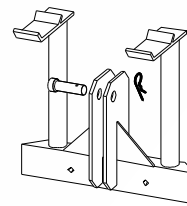
**TB 9548**  
Euro 29 and Professional HD  
30 Tower's Lifter  
Weight 12 kg

**TA 9542**  
Tower-to-Lifter  
support  
Weight 2 kg

**RWM 1000**  
Electric chain  
hoist

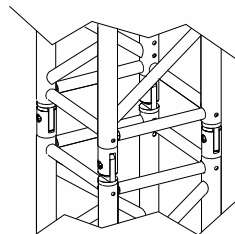


**RWM A 11**  
PVC chaincontainer  
bag

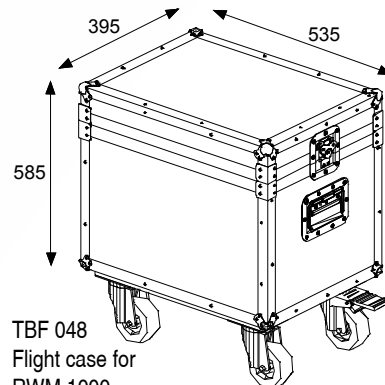


**TA 4030**  
Tower-to-hoist  
support  
Weight 4 kg

**TB 9549**  
Kit Euro 29  
and Professional HD 30  
Tower's Lifter  
Weight 14 kg  
with:  
- 1 TA 9542  
- 1 TA 9548



**TB 9545**  
Professional Joint  
Weight 2,9 kg



**TB F 048**  
Flight case for  
RWM 1000  
Weight 17 kg