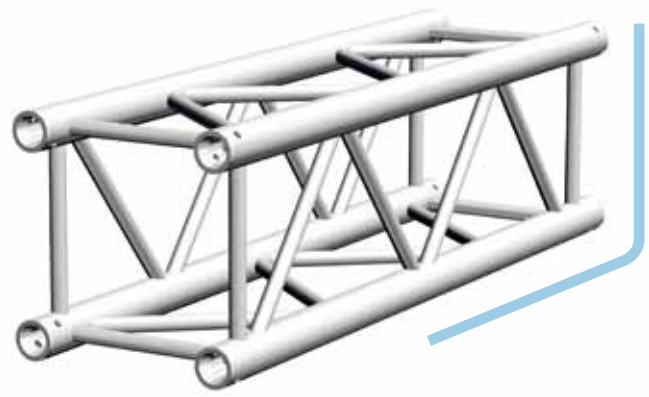


PROFESSIONAL HD 30

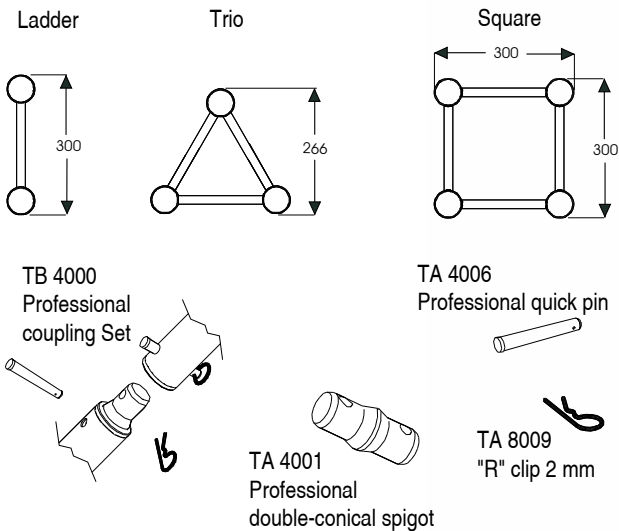


GENERAL FEATURES

Aluminium HD alloy Truss, main tube \varnothing 50 x 3 mm, diagonal tube \varnothing 20 x 2 mm.

COUPLING SYSTEM

Double trunk-conical shaped spigot, quick pin and "R" clip are the best solution for high loading capacities. The wide range of accessories makes the product versatile both in a professional sphere and in situations where endusers need to rig heavy equipments (service organizers and show business operators).



TRUSS LENGTH	LADDER		TRIO		SQUARE	
	▲	▲▲▲▲	▲	▲▲▲▲	▲	▲▲▲▲
4 m	300	150	595	298	1100	600
6 m	186	62	383	128	1005	335
8 m	128	32	274	68	728	182
10 m	90	18	204	41	555	111
12 m	66	11	156	26	435	73
14 m	-	-	119	17	345	49
16 m	-	-	89	11	274	34

LOADING FIGURES

TRUSS LENGTH	LADDER CODE	LADDER WEIGHT	TRIO CODE	TRIO WEIGHT	SQUARE CODE	SQUARE WEIGHT
0,5 m	TB 4205	2,54 kg	TB 4305	4,11 kg	TB 4405	5,42 kg
1,0 m	TB 4210	3,75 kg	TB 4310	6,14 kg	TB 4410	8,05 kg
1,5 m	TB 4215	4,97 kg	TB 4315	8,17 kg	TB 4415	10,68 kg
2,0 m	TB 4220	6,19 kg	TB 4320	10,20 kg	TB 4420	13,31 kg
2,5 m	TB 4225	7,40 kg	TB 4325	12,23 kg	TB 4425	15,94 kg
3,0 m	TB 4230	8,62 kg	TB 4330	14,26 kg	TB 4430	18,56 kg
3,5 m	TB 4235	9,84 kg	TB 4335	16,29 kg	TB 4435	21,19 kg
4,0 m	TB 4240	11,05 kg	TB 4340	18,32 kg	TB 4440	23,82 kg