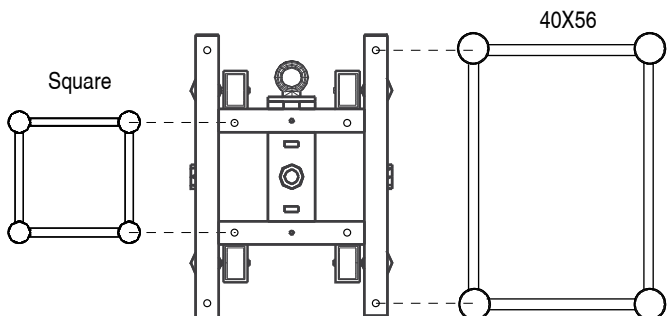


# EURO 29 TOWER

TRUSS ATTACH POINTS:

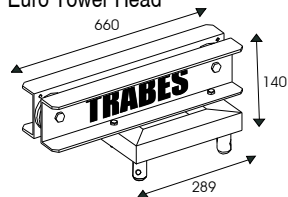


CODE	WEIGHT	DESCRIPTION
TB 95120	57,50 kg	Kit Euro Tower with: 1 TB 95121, 1 95123, 1 TB 95124
CODE	WEIGHT	KIT DESCRIPTION
TB 95124	6,30 kg	Head (4 TB 12002 included)
TB 95123	15,60 kg	Sliding Corner Block 410 x 410 x H 600 mm
TB 95121	35,60 kg	Euro H 1m Base square truss, 4 adjustable upwinds, hoist and handwinch-to-tower support, 2 wheels 100 mm, spirit level, 4 base adjustments.

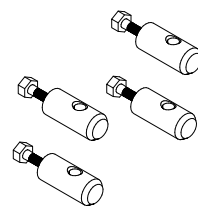
TOWER HEIGHT	LOADING CAPACITY
2 m	4650 kg
3 m	3450 kg
4 m	2540 kg
5 m	1900 kg
6 m	1470 kg
7 m	1111 kg

LOADING FIGURES

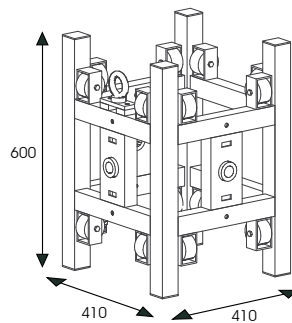
TB 95124  
Euro Tower Head



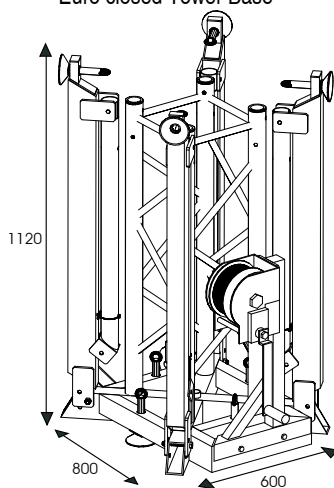
TB 9555  
4 Pins for Sliding Corner Block



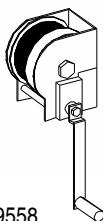
TB 95123  
Euro Sliding Corner Block



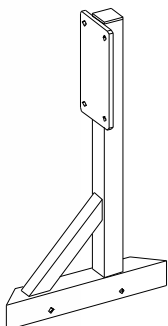
TB 95121  
Euro closed Tower Base



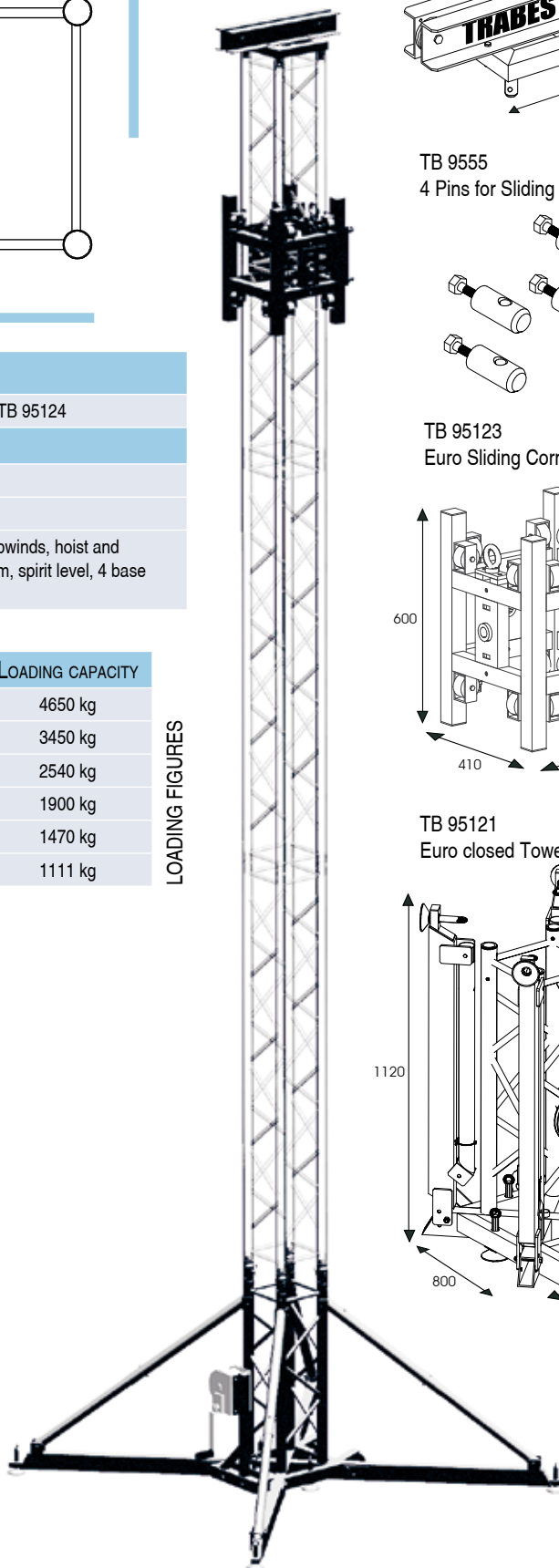
TB 9542 A  
Kit: Winch-to-tower support + Hand winch  
Weight 16 kg  
with:  
- 1 TB 9558  
- 1 TB 9546

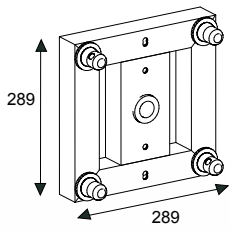


TB 9558  
Hand winch  
750 kg  
with 15 m steel  
cable

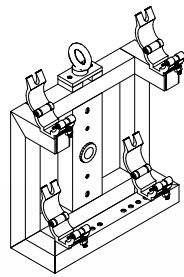


TB 9561  
Tower-to-winch  
support



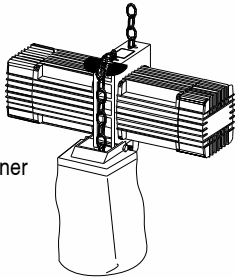


**TB 96121**  
Euro 29  
Adjustable Square Flange  
Weight 7 kg

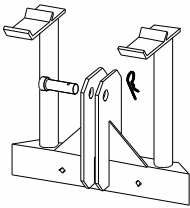


**TB 9840**  
Side Flange for  
Roof Systems with  
40x40 section trusses  
Weight 9 kg

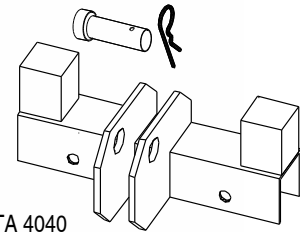
**RWM 1000**  
Electric chain  
hoist



**RWM A 11**  
PVC chaincontainer  
bag



**TA 4030**  
Tower-to-hoist  
support  
Weight 4 kg



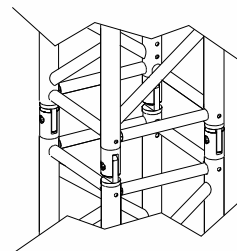
**TA 4040**  
Tower-to-hoist case support  
Weight 2 kg

**TB 9548**  
Lifter for Euro 29 and  
Professional HD 30  
Tower  
Weight 12 kg

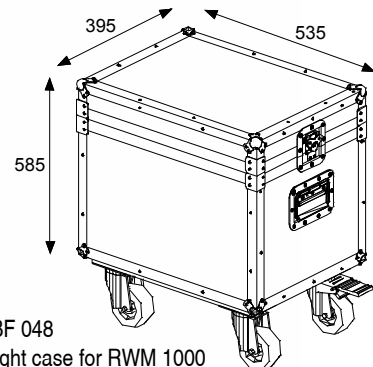


**TA 9542**  
Lifter-to-tower  
support  
Weight 2 kg

**TB 9549**  
Euro 29 and Professional HD 30  
Tower Lifter Kit  
Weight 14 kg  
with:  
- 1 TA 9542  
- 1 TA 9548



**TB 95125**  
Euro Joint  
Weight 2,9 kg



**TBF 048**  
Flight case for RWM 1000  
Weight 17 kg