

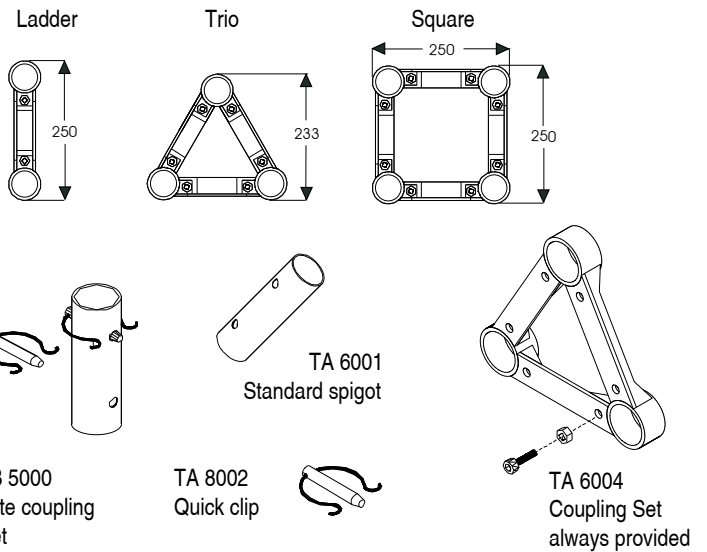
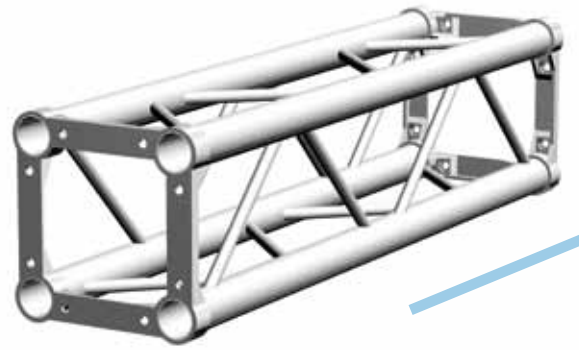
ELITE 25

GENERAL FEATURES

Aluminium truss, main tube Ø 50 mm x 2 mm and diagonal tube Ø 16 mm x 1,8 mm, in aluminium melted flanges. This is the perfect balance between aesthetics and strength, performance and cost.

COUPLING SYSTEM

Elite model gives the user the chance to choose between two different connection systems. These meet the demands of professionals and installers.



| TRUSS LENGTH | LADDER CODE | LADDER WEIGHT | TRIO CODE | TRIO WEIGHT | SQUARE CODE | SQUARE WEIGHT |
|--------------|-------------|---------------|-----------|-------------|-------------|---------------|
| 0,5 m | TB 5205 | 1,81 kg | TB 5305 | 3,20 kg | TB 5405 | 4,25 kg |
| 1,0 m | TB 5210 | 2,93 kg | TB 5310 | 4,97 kg | TB 5410 | 6,54 kg |
| 1,5 m | TB 5215 | 4,05 kg | TB 5315 | 6,74 kg | TB 5415 | 8,83 kg |
| 2,0 m | TB 5220 | 5,17 kg | TB 5320 | 8,51 kg | TB 5420 | 11,12 kg |
| 2,5 m | TB 5225 | 6,28 kg | TB 5325 | 10,27 kg | TB 5425 | 13,41 kg |
| 3,0 m | TB 5230 | 7,40 kg | TB 5330 | 12,04 kg | TB 5430 | 15,70 kg |
| 3,5 m | TB 5235 | 8,52 kg | TB 5335 | 13,81 kg | TB 5435 | 17,99 kg |
| 4,0 m | TB 5240 | 9,64 kg | TB 5340 | 15,58 kg | TB 5440 | 20,28 kg |

LOADING FIGURES

| TRUSS LENGTH | LADDER | | | | TRIO | | | | SQUARE | | | |
|---|--------|----|------|----|------|-----|------|-----|--------|-----|------|-----|
| | ▲ | | ▲▲▲▲ | | ▲ | | ▲▲▲▲ | | ▲ | | ▲▲▲▲ | |
| CONNECTION SYSTEM: CONNECTOR OR BOLT | | | | | | | | | | | | |
| 4 m | 150 | 58 | 75 | 29 | 232 | 206 | 120 | 105 | 440 | 234 | 220 | 120 |
| 6 m | 90 | 35 | 30 | 12 | 145 | 130 | 53 | 45 | 275 | 147 | 100 | 52 |
| 8 m | 60 | 22 | 15 | 5 | 100 | 90 | 26 | 24 | 200 | 101 | 55 | 28 |
| 10 m | 40 | 13 | 8 | 3 | 73 | 64 | 16 | 15 | 155 | 71 | 33 | 17 |
| 12 m | 24 | 6 | 5 | 1 | 53 | 45 | 10 | 9 | 110 | 49 | 22 | 11 |
| 14 m | - | - | - | - | 38 | 30 | 7 | 6 | 90 | 32 | 11 | 8 |
| 16 m | - | - | - | - | - | - | - | - | 50 | 30 | 7 | 5 |